



# PushButton Series



PushButton Series



## PushButton Series





The **PushButton Series** includes two separate enclosure designs, an in-line style and a multi-hole style configuration. The in-line includes a fiberglass and polycarbonate option while the multi-hole is designed for fiberglass. All feature a continuous polyurethane gasket that provides a complete environmental seal. A full metal grounding strap is furnished with each configuration for ease of bonding.

Designed as a true pushbutton station, the in-line enclosure does not offer a provision for panel mounting. Unobstructed side-walls, captive stainless steel cover screws and a full range of sizes makes this a versatile offering. These unique in-line enclosures will house pushbuttons, switches and pilot lights in both 30mm and 22mm configurations.

The alternate configuration is the multi-hole design which has a integral flange mount and back panel capabilities. This series is ideal for high density pushbutton mounting and can accommodate up to nine operators on a single cover. This multi-hole design is compatible with 30mm configuration components.

**PushButton Series** enclosures are designed for general electrical and electronic applications and any application that has associated environmental concerns. Custom hole configurations are available upon request. Please consult factory.

### Product Configurations

30MM IN-LINE	22MM IN-LINE	30MM MULTI-HOLE	POLYCARBONATE 30MM; 22MM
			
4 COVER SCREWS, LIFT OFF COVER	4 COVER SCREWS, LIFT OFF COVER	4 COVER SCREWS, LIFT OFF COVER	4 COVER SCREWS, LIFT OFF COVER

### Attributes

- Flush cover design
- Memory retaining continuous polyurethane gasket
- Captive cover screws
- Full metal grounding strap (strap included on fiberglass only)
- Notched key hole design
- Chemically resistant Non-Metallic materials
- Non-corrosion environmental design
- Available in 30mm and 22mm configurations

### Industry Standards

<b>NEMA 250, UL Listed UL50, UL50e, UL508A</b>	File E64358 Type 1, 3, 4X, 6P, 12
<b>CSA Std 22.2</b>	File LR069014 Type 1, 3, 4X, 6P, 12
<b>IEC 60529</b>	UL File E362920 IP 66, IP67, IP68
<b>Plenum Space (UL2043) Compliant</b>	Yes
<b>Temperature Range (Fiberglass)</b>	(-76°F to +274°F) (-60°C to +134°C)
<b>Temperature Range (Polycarbonate)</b>	(-40°F to +248°F) (-40°C to +120°C)
<b>Flammability Rating</b>	UL94-5V
<b>Impact Rating</b>	IK10
<b>Self Extinguishing</b>	Non-halogenated, non-flame propagating
<b>Chemical Resistance</b>	Full chemical resistance charts listed in appendix
<b>NFPA No. 101 Flame Spread</b>	Class A (1)
<b>Outdoor Exposure UL746C</b>	(f1) Rated



# 30mm In-line



**CONFIGURATION**  
4 cover screws, lift off cover



## CF Construction

<b>Material</b>	SolarGuard® – Hot compression molded fiberglass reinforced polyester (thermoset)
<b>Gasket</b>	Poured polyurethane seamless gasket provides watertight, dust-tight environmental seal
<b>Cover Screws</b>	Recessed captive stainless steel screws
<b>Stainless Steel Hardware</b>	300 Series stainless used on all external hardware
<b>Enclosure Mounting</b>	Mounting wells located under the cover, outside gasket area
<b>Soft Edge Design</b>	Rounded edges, minimal protrusions or exposed pocket areas for assembly of dust and debris
<b>Color</b>	Available standard glacier grey (PMS 428C)

## CF Modifications

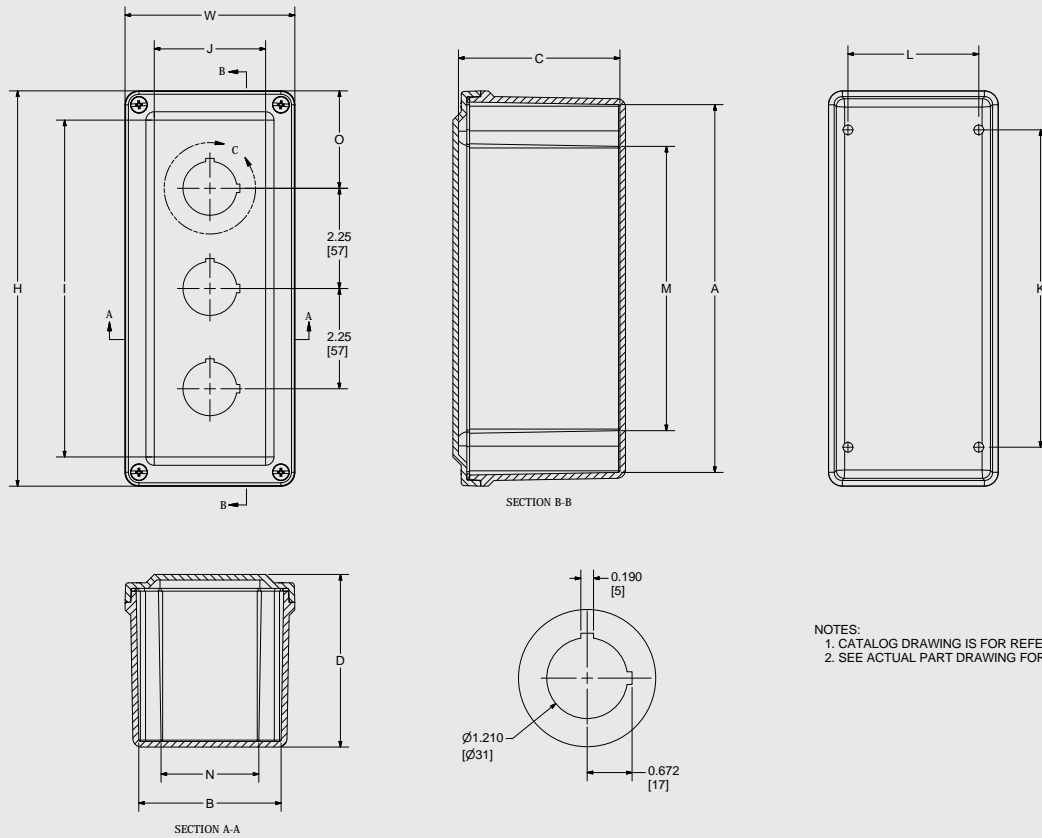
<b>Custom Colors</b>	pg. 21-22
<b>Custom Painting</b>	pg. 21-22
<b>Silk Screening</b>	pg. 21-22
<b>Custom Cutouts/Holes</b>	pg. 21-22

## CF Industry Standards

<b>NEMA 250, UL Listed UL50, UL50e, UL508A</b>	File E64358 Type 1, 3R, 4X, 6P, 12
<b>CSA Std C22.2</b>	File LR069014 Type 1, 3R, 4X, 6P, 12
<b>IEC 60529</b>	UL File E362920 IP 66, IP67, IP68
<b>Plenum Space (UL2043) Compliant</b>	Yes
<b>Temperature Range</b>	(-76°F to +274°F) (-60°C to +134°C)
<b>Flammability Rating</b>	UL94-5V
<b>Impact Rating</b>	IK10
<b>Self Extinguishing</b>	Non-flame propagating
<b>Chemical Resistance</b>	Full chemical resistance charts listed in appendix
<b>NFPA No. 101 Flame Spread</b>	Class A (1)
<b>Outdoor Exposure UL746C</b>	(f1) Rated

## CF Accessories

<b>Mounting Feet</b>	pg. 192
----------------------	---------



NOTES:  
 1. CATALOG DRAWING IS FOR REFERENCE ONLY  
 2. SEE ACTUAL PART DRAWING FOR SPECIFIC DESIGN

### SCREW SIZES & TORQUE VALUES

PRODUCT SIZES	BACK PANEL SCREW SIZE	BACK PANEL RECOMMENDED TORQUE	COVER SCREW SIZE	COVER SCREW RECOMMENDED TORQUE	RECOMMENDED MOUNTING FLANGE TORQUE
All Sizes	N/A	N/A	#10-24 x 3/4	20 - 24 in-lbs	45 in-lbs max

## PushButton Series – 30mm In-line

CATALOG NUMBER	OVERALL H X W X D	INSIDE A X B X C	I	J	K	L	M	N	O	SHIP WEIGHT
CF1PB	6.63 x 3.81 x 3.89 (168 x 97 x 99)	6.00 x 3.19 x 3.63 (153 x 81 x 92)	5.31 (135)	2.5 (64)	4.88 (124)	2.94 (75)	4.13 (105)	2.19 (56)	3.31 (84)	1.5 lbs.
CF2PB	6.63 x 3.81 x 3.89 (168 x 97 x 99)	6.00 x 3.19 x 3.63 (153 x 81 x 92)	5.31 (135)	2.5 (64)	4.88 (124)	2.94 (75)	4.13 (105)	2.19 (56)	2.19 (56)	1.5 lbs.
CF3PB	8.88 x 3.81 x 3.89 (225 x 97 x 99)	8.26 x 3.19 x 3.63 (210 x 81 x 92)	7.56 (192)	2.5 (64)	7.13 (181)	2.94 (75)	6.38 (162)	2.19 (56)	2.19 (56)	1.8 lbs.
CF4PB	11.13 x 3.81 x 3.89 (283 x 97 x 99)	10.51 x 3.19 x 3.63 (267 x 81 x 92)	9.81 (249)	2.5 (64)	9.37 (238)	2.94 (75)	8.63 (219)	2.19 (56)	2.19 (56)	2.0 lbs.
CF5PB	13.78 x 3.63 x 3.14 (350 x 92 x 80)	13.19 x 3.03 x 2.87 (335 x 77 x 73)	12.53 (318)	2.38 (60)	12.37 (314)	2.75 (70)	11.66 (296)	2.03 (52)	2.39 (61)	2.1 lbs.
CF6PB	17.35 x 3.63 x 3.14 (441 x 92 x 80)	16.75 x 3.03 x 2.87 (426 x 77 x 73)	16.1 (409)	2.38 (60)	15.94 (405)	2.75 (70)	15.22 (387)	2.03 (52)	3.05 (77)	3.0 lbs.

All measures are in inches, items in parentheses are in millimeters.  
 Note: CF3PB shown for reference.



# 22mm In-line



**CONFIGURATION**  
4 cover screws, lift off cover



## CF Construction

<b>Material</b>	SolarGuard® – Hot compression molded fiberglass reinforced polyester (thermoset)
<b>Gasket</b>	Poured polyurethane seamless gasket provides watertight, dust-tight environmental seal
<b>Cover Screws</b>	Recessed captive stainless steel screws
<b>Stainless Steel Hardware</b>	300 Series stainless used on all external hardware
<b>Enclosure Mounting</b>	Mounting wells located under the cover, outside gasket area
<b>Soft Edge Design</b>	Rounded edges, minimal protrusions or exposed pocket areas for assembly of dust and debris
<b>Color</b>	Available standard glacier grey (PMS 428C)

## CF Modifications

<b>Custom Colors</b>	pg. 21-22
<b>Custom Painting</b>	pg. 21-22
<b>Silk Screening</b>	pg. 21-22
<b>Custom Cutouts/Holes</b>	pg. 21-22

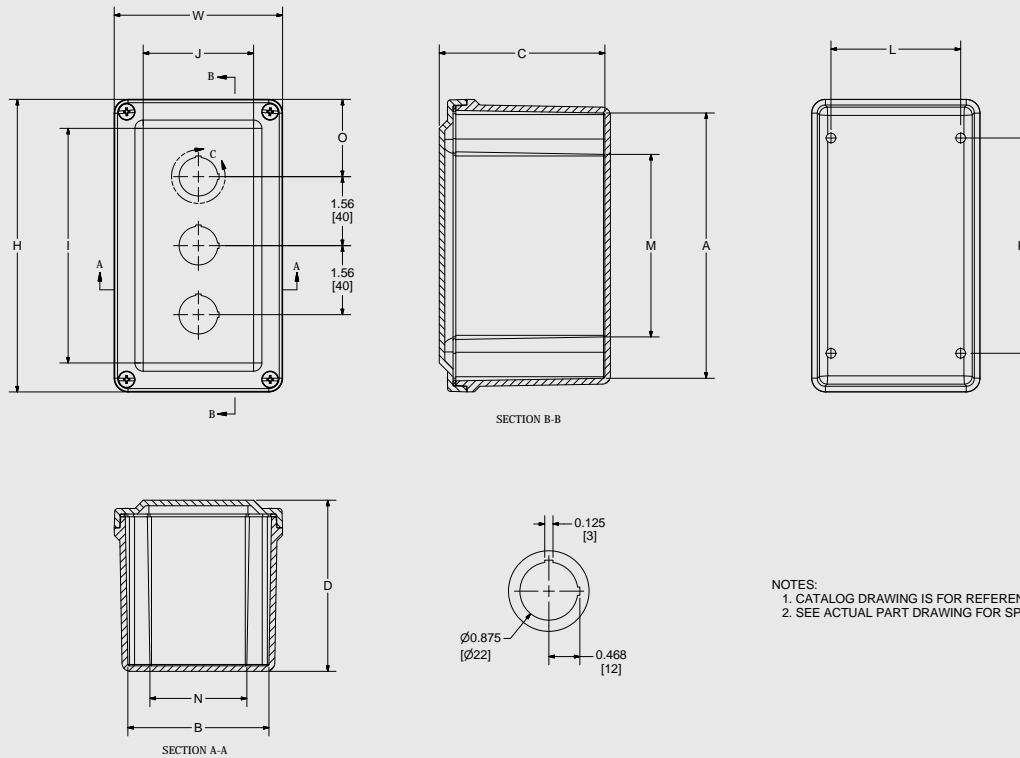
## CF Industry Standards

<b>NEMA 250, UL Listed UL50, UL50e, UL508A</b>	File E64358 Type 1, 3R, 4X, 6P, 12
<b>CSA Std C22.2</b>	File LR069014 Type 1, 3R, 4X, 6P, 12
<b>IEC 60529</b>	UL File E362920 IP 66, IP67, IP68
<b>Plenum Space (UL2043) Compliant</b>	Yes
<b>Temperature Range</b>	(-76°F to +274°F) (-60°C to +134°C)
<b>Flammability Rating</b>	UL94-5V
<b>Impact Rating</b>	IK10
<b>Self Extinguishing</b>	Non-flame propagating
<b>Chemical Resistance</b>	Full chemical resistance charts listed in appendix
<b>NFPA No. 101 Flame Spread</b>	Class A (1)
<b>Outdoor Exposure UL746C</b>	(f1) Rated

## CF Accessories

<b>Mounting Feet</b>	pg. 192
----------------------	---------

PushButton Series



NOTES:  
 1. CATALOG DRAWING IS FOR REFERENCE ONLY  
 2. SEE ACTUAL PART DRAWING FOR SPECIFIC DESIGN

### SCREW SIZES & TORQUE VALUES

PRODUCT SIZES	BACK PANEL SCREW SIZE	BACK PANEL RECOMMENDED TORQUE	COVER SCREW SIZE	COVER SCREW RECOMMENDED TORQUE	RECOMMENDED MOUNTING FLANGE TORQUE
All Sizes	N/A	N/A	#10-24 x 3/4	20 - 24 in-lbs	45 in-lbs max

## PushButton Series – 22mm In-line

CATALOG NUMBER	OVERALL H X W X D	INSIDE A X B X C	I	J	K	L	M	N	O	SHIP WEIGHT
CF1PB22	6.63 x 3.81 x 3.89 (168 x 97 x 99)	6.00 x 3.19 x 3.63 (153 x 81 x 92)	5.31 (135)	2.5 (64)	4.88 (124)	2.94 (75)	4.13 (105)	2.19 (56)	3.31 (84)	1.6 lbs.
CF2PB22	6.63 x 3.81 x 3.89 (168 x 97 x 99)	6.00 x 3.19 x 3.63 (153 x 81 x 92)	5.31 (135)	2.5 (64)	4.88 (124)	2.94 (75)	4.13 (105)	2.19 (56)	2.53 (64)	1.6 lbs.
CF3PB22	6.63 x 3.81 x 3.89 (168 x 97 x 99)	6.00 x 3.19 x 3.63 (153 x 81 x 92)	5.31 (135)	2.5 (64)	4.88 (124)	2.94 (75)	4.13 (105)	2.19 (56)	1.75 (44)	1.6 lbs.
CF4PB22	8.88 x 3.81 x 3.89 (225 x 97 x 99)	8.26 x 3.19 x 3.63 (210 x 81 x 92)	7.56 (192)	2.5 (64)	7.13 (181)	2.94 (75)	6.38 (162)	2.19 (56)	2.09 (53)	1.8 lbs.
CF5PB22	11.13 x 3.81 x 3.89 (283 x 97 x 99)	10.51 x 3.19 x 3.63 (267 x 81 x 92)	9.81 (249)	2.5 (64)	9.37 (238)	2.94 (75)	8.63 (219)	2.19 (56)	2.44 (62)	2.1 lbs.
CF6PB22	11.13 x 3.81 x 3.89 (283 x 97 x 99)	10.51 x 3.19 x 3.63 (267 x 81 x 92)	9.81 (249)	2.5 (64)	9.37 (238)	2.94 (75)	8.63 (219)	2.19 (56)	1.66 (42)	2.1 lbs.

All measures are in inches, items in parenthesis are in millimeters.  
 Note: CF3PB22 shown for reference.



# 30mm Multi-hole



**CONFIGURATION**  
4 cover screws, lift off cover



## F Construction

<b>Material</b>	SolarGuard® – Hot compression molded fiberglass reinforced polyester (thermoset)
<b>Gasket</b>	Poured polyurethane seamless gasket provides watertight, dust-tight environmental seal
<b>Cover screws</b>	Recessed captive stainless steel screws
<b>Stainless Steel Hardware</b>	300 Series stainless used on all external hardware
<b>Enclosure Mounting</b>	Integral mounting flange for ease of mounting
<b>Cover Retention Chain</b>	Stainless steel beaded chain for securing cover after lift off
<b>Panel Mounting</b>	Back panel utilizes threaded brass inserts accepting 10-32 screws. Cover accepting 10-24 screws.
<b>Soft Edge Design</b>	Rounded edges, minimal protrusions or exposed pocket areas for assembly of dust and debris
<b>Color</b>	Available standard glacier grey (PMS 428C)

## F Modifications

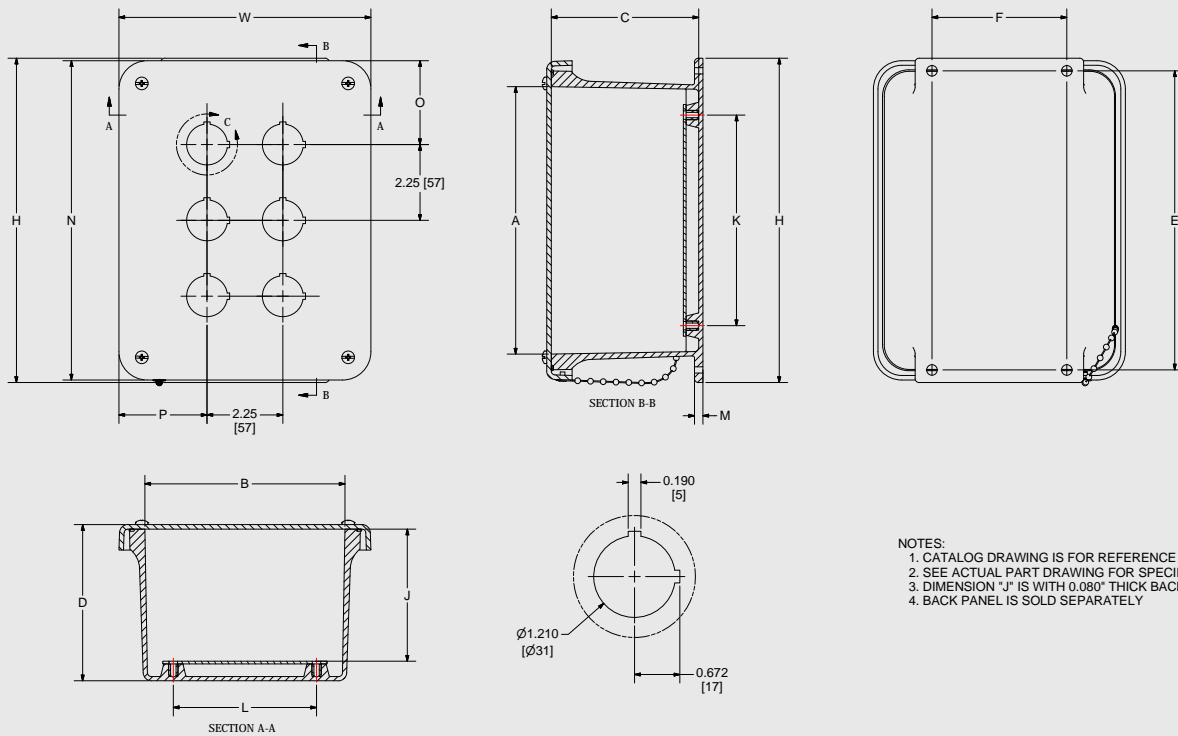
<b>Custom Colors</b>	pg. 21-22
<b>Custom Painting</b>	pg. 21-22
<b>Silk Screening</b>	pg. 21-22
<b>Custom Cutouts/Holes</b>	pg. 21-22

## F Industry Standards

<b>NEMA 250, UL Listed UL50, UL50e, UL508A</b>	File E64358 Type 1, 3R, 4X, 6P, 12
<b>CSA Std C22.2</b>	File LR069014 Type 1, 3R, 4X, 6P, 12
<b>IEC 60529</b>	UL File E362920 IP 66, IP67, IP68
<b>Plenum Space (UL2043) Compliant</b>	Yes
<b>Temperature Range</b>	(-76°F to +274°F) (-60°C to +134°C)
<b>Flammability Rating</b>	UL94-5V
<b>Impact Rating</b>	IK10
<b>Self Extinguishing</b>	Non-flame propagating
<b>Chemical Resistance</b>	Full chemical resistance charts listed in appendix
<b>NFPA No. 101 Flame Spread</b>	Class A (1)
<b>Outdoor Exposure UL746C</b>	(f1) Rated

## F Accessories

<b>Mounting Feet</b>	pg. 192
----------------------	---------



- NOTES:  
 1. CATALOG DRAWING IS FOR REFERENCE ONLY  
 2. SEE ACTUAL PART DRAWING FOR SPECIFIC DESIGN  
 3. DIMENSION "J" IS WITH 0.080" THICK BACK PANEL INSTALLED  
 4. BACK PANEL IS SOLD SEPARATELY

PushButton Series

### SCREW SIZES & TORQUE VALUES

PRODUCT SIZES	BACK PANEL SCREW SIZE	BACK PANEL RECOMMENDED TORQUE	COVER SCREW SIZE	COVER SCREW RECOMMENDED TORQUE	RECOMMENDED MOUNTING FLANGE TORQUE
All Sizes	#10-32 x 3/8	16 - 20 in-lbs	#10-24 x 3/4	20 - 24 in-lbs	45 in-lbs max

## Pushbutton Series – 30mm Multi-hole

CATALOG NUMBER	HOLE CONFIG.	OVERALL H X W X D	INSIDE A X B X C	MOUNTING E X F	J	K	L	M	N	O	P	HOLE DIA.	SHIP WEIGHT	PANEL NUMBER
F4PBW	2 x 2	7.50 x 7.50 x 4.75 (191 x 191 x 121)	5.72 x 5.72 x 4.45 (145 x 145 x 113)	6.75 x 4.00 (171 x 101)	4.00 (101)	4.25 (108)	4.25 (108)	0.25 (6)	7.52 (191)	2.64 (67)	2.64 (67)	0.31 (8)	2.7 lbs.	BP66*
F6PBW	3 x 2	9.62 x 7.50 x 4.74 (244 x 191 x 121)	7.73 x 5.74 x 4.45 (196 x 146 x 113)	8.88 x 4.00 (225 x 101)	4.00 (101)	6.25 (159)	4.25 (108)	0.25 (6)	9.5 (242)	2.64 (67)	2.51 (64)	0.31 (8)	3.5 lbs.	BP86*
F9PBW	3 x 3	11.62 x 9.41 x 4.25 (295 x 239 x 108)	9.73 x 7.73 x 3.98 (247 x 196 x 101)	10.75 x 6.00 (273 x 152)	3.50 (89)	8.25 (209)	6.25 (159)	0.25 (6)	11.35 (288)	3.43 (87)	2.45 (62)	0.31 (8)	5.0 lbs.	BP108*

All measures are in inches, items in parentheses are in millimeters.  
 Note: F6PBW shown for reference



\*Panel sold separately





# Polycarbonate 30mm; 22mm



## CONFIGURATION

4 cover screws, lift off cover

### CFPC Construction

<b>Material (Box &amp; Cover)</b>	Polycarbonate with UV inhibitors
<b>Gasket Material</b>	Poured polyurethane seamless gasket
<b>Cover Screw Material</b>	Custom polycarbonate screw
<b>Cover Screw Size</b>	Custom screw size
<b>Cover Screw Torque</b>	16 in.-lbs
<b>Enclosure Mounting</b>	Mounting wells located under the cover/ outside the gasket area
<b>Soft Edge Design</b>	Rounded edges, minimal protrusions or exposed pocket areas for assembly of dust and debris
<b>Color</b>	Available standard in RAL 7541C

### CFPC Modifications

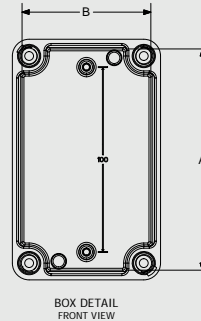
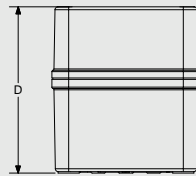
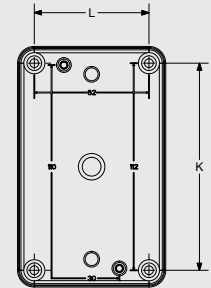
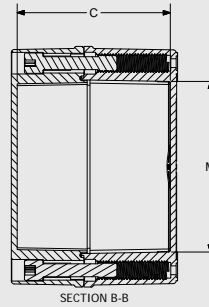
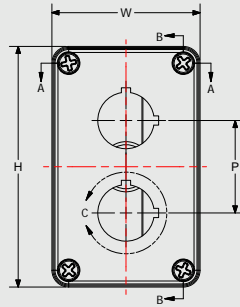
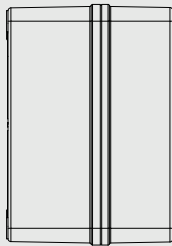
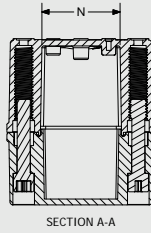
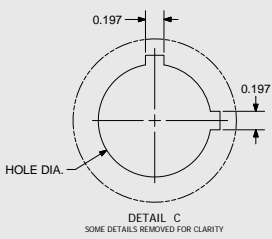
<b>Custom Colors</b>	pg. 21-22
<b>Custom Painting</b>	pg. 21-22
<b>Silk Screening</b>	pg. 21-22
<b>Custom Cutouts/Holes</b>	pg. 21-22

### CFPC Industry Standards

<b>NEMA 250, cULus Listed UL50, UL50e, UL508A</b>	E319779 Type 1, 3R, 4X, 6P, 12
<b>IEC 60529</b>	UL File E362920 IP66, IP67, IP68
<b>Temperature Range</b>	(-40°F to +248°) (-40°C to +120°)
<b>Flammability Rating</b>	UL94-5VA
<b>Chemical Resistance</b>	Full chemical resistance charts listed in appendix
<b>Outdoor Exposure UL 746C</b>	(f1) Rated

### CFPC Accessories

<b>Accessory Kit (Screws)</b>	pg. 191
<b>All Other Accessories</b>	pg. 184-194



- NOTES:  
 1. CATALOG DRAWING IS FOR REFERENCE ONLY  
 2. SEE ACTUAL PART DRAWING FOR SPECIFIC DESIGN  
 3. COVER OPTIONS:  
 -1PB - (1) 30 mm DIA. HOLE  
 -2PB - (2) 30 mm DIA. HOLES  
 -1PB22 - (1) 22 mm DIA. HOLE  
 -2PB22 - (2) 22 mm DIA. HOLES

## SCREW SIZES & TORQUE VALUES

PRODUCT SIZES	BACK PANEL SCREW SIZE	BACK PANEL RECOMMENDED TORQUE	COVER SCREW SIZE	COVER SCREW RECOMMENDED TORQUE	RECOMMENDED MOUNTING FLANGE TORQUE
All Sizes - CFPC Series	N/A	N/A	Custom Screw	16-20 in-lbs	25 - 30 in-lbs

## Pushbutton Series – Polycarbonate 30mm; 22mm

CATALOG NUMBER	HOLE CONFIG.	OVERALL H X W X D	INSIDE A X B X C	K	L	M	N	P	HOLE DIA.	SHIP WEIGHT
CFPC1PB	1	4.34 x 3.16 x 2.79 (110 x 80 x 71)	3.92 x 2.74 x 2.51 (100 x 70 x 64)	3.62 (92)	2.44 (62)	2.85 (72)	1.66 (42)	N/A	1.20 (31)	2 lbs.
CFPC2PB	2	5.12 x 3.16 x 3.54 (130 x 80 x 90)	4.71 x 2.74 x 3.26 (120 x 70 x 83)	4.41 (112)	2.44 (62)	3.63 (92)	1.66 (42)	1.97 (50)	1.20 (31)	2 lbs.
CFPC1PB22	1	4.34 x 3.16 x 2.79 (110 x 80 x 71)	3.92 x 2.74 x 2.51 (100 x 70 x 64)	3.62 (92)	2.44 (62)	2.85 (72)	1.66 (42)	N/A	0.89 (23)	2 lbs.
CFPC2PB22	2	5.12 x 3.16 x 3.54 (130 x 80 x 90)	4.71 x 2.74 x 3.26 (120 x 70 x 83)	4.41 (112)	2.44 (62)	3.63 (92)	1.66 (42)	1.97 (50)	0.89 (23)	2 lbs.

All measures are in inches, items in parentheses are in millimeters.