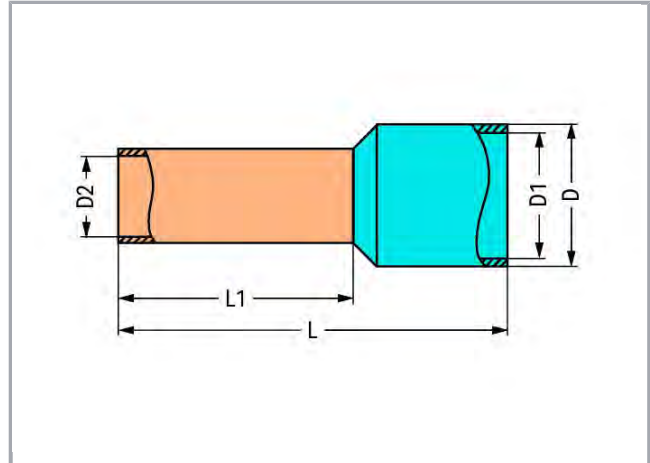


Data sheet | Item number: 216-201

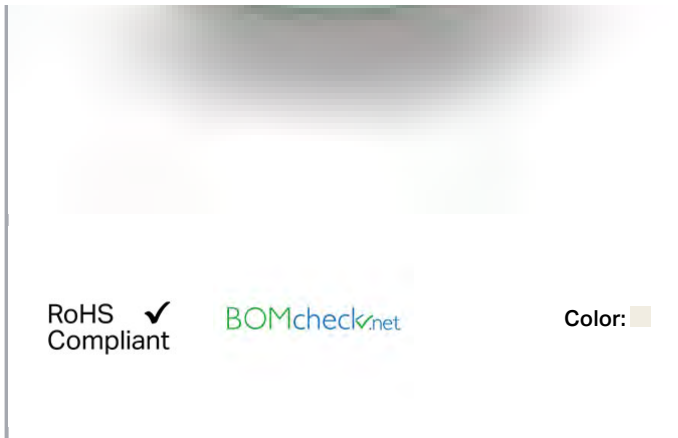
Ferrule; Sleeve for 0.5 mm<sup>2</sup> / 20 AWG; insulated; electro-tin plated; white



Subject to changes. Please also observe the further product documentation!



Subject to changes. Please also observe the further product documentation!



## Data

### Technical Data

Main product function	Ferrule
Sleeve cross-section (AWG)	20 AWG
Sleeve for	0.5 mm <sup>2</sup>

### Connection data

Strip length	9 mm / 0.35 inch
--------------	------------------

### Geometrical Data

Length	14 mm
Length	14 mm
Length 1	8 mm
Diameter	3.1 mm
Diameter	3.1 mm
Diameter 1	2.6 mm
Diameter 2	1 mm

### Material Data

Color	white
Fire load	0.001 MJ
Weight	0.1 g

### Commercial data

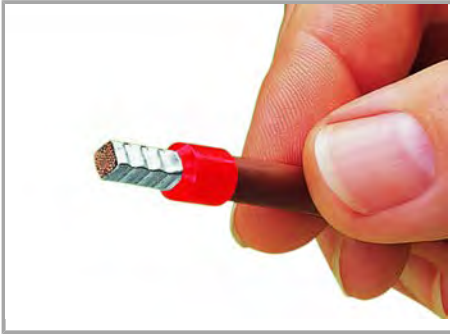
Product Group	2 (Terminal Block Accessories)
---------------	--------------------------------

Subject to changes. Please also observe the further product documentation!

Packaging type	BOX
Country of origin	DE
GTIN	4017332277433
Customs tariff number	85369010000

## Counterpart

## Installation Notes



A perfect gas-tight crimp – both electrically and mechanically reliable

Subject to changes. Please also observe the further product documentation!